



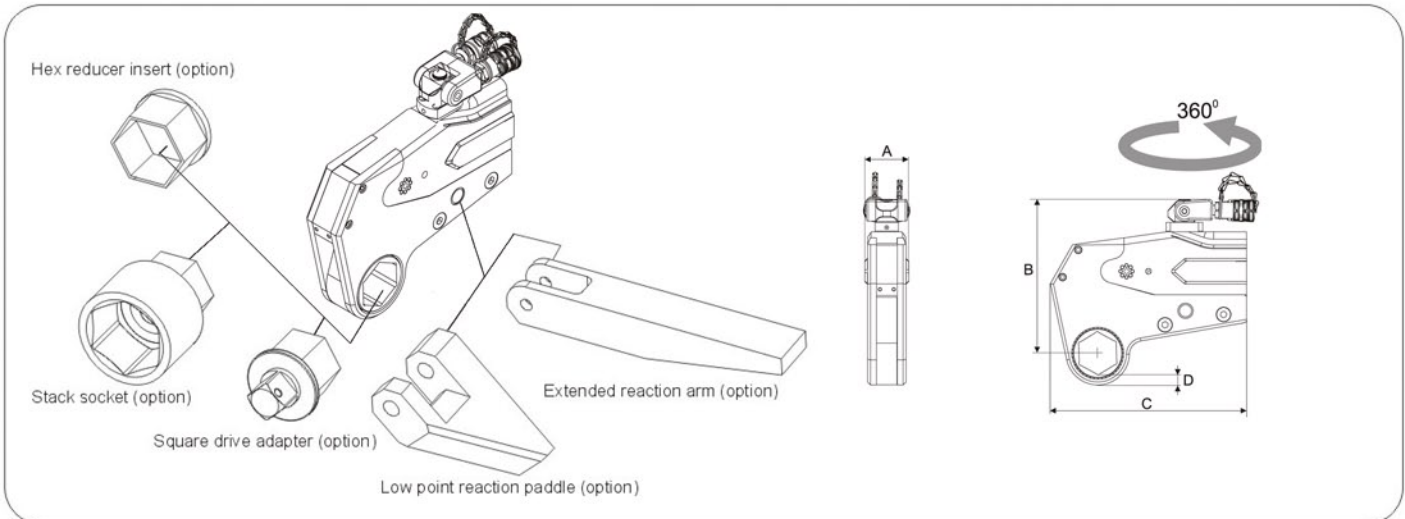
TRH Series Hexagon Hydraulic Torque Wrench

Usage:

The Zinko TRH series Hexagon Cassette style hydraulic torque wrenches are used in many industries where various sized fasteners are required to be tightened to specific torque settings. Consistent within +/- 3% of output and when operated correctly units maintain a repeatability factor of 100%.

Features:

- Lightweight, Low Profile and Slim Nose Radius allows tool to fit where others can't.
- Engagement Rod design will not bind allowing easy tool removal.
- Multi-Tooth Ratchet : Allows for 27 degrees of movement per engagement.
- Quick change design allows hex link exchange without any tools.
- High quality finish resists weathering.
- Completely Flat Design : Cylinder and link width are equal for tight fits.
- 360° Swivel: Keeps hose out of the way while working.
- Internal Slider: Prevents wear of piston or drive plate.



Model Number	Hex. Size		Min. Torque		Max. Torque		Weight (kg)		Dimensions(mm)			
	(in)	(mm)	(ft.lbs)	(N.M)	(ft.lbs)	(N.M)	Cylinder	Link	A	B	C	D
TRH-2	1-1/4~2-3/8"	30~60	192	260	2178	2994	1.5	1.0~1.5	32.0	148.8~156.8	168.0~175.5	9.1~11.7
TRH-4	1-5/8~3-1/8"	41~80	395	535	4732	6504	2.7	2.4~3.4	41.4	172.9~189.2	204.4~220.8	12.7~13.7
TRH-8	1-7/8~4-1/8"	50~105	830	1125	10689	14692	5.0	5.5~6.5	52.5	210.4~235.4	268.1~283.9	13.7~19.5
TRH-16	2-3/4~4-5/8"	70~115	1560	2115	16854	23165	7.3	9.5~13.0	64.0	245.7~258.3	326.7~344.7	19.5~23.0
TRH-32	3-1/8~6-1/8"	80~155	3220	4365	37566	51632	11.5	13.0~17.9	82.5	287.6~313.1	422.5~442.5	23.0~26.0