

# SQUARE DRIVE ACCESSORIES



## Deepwell Impact Sockets

Socket Size Imperial	IMPERIAL			
	3/4" Drive Part No.	1" Drive Part No.	1-1/2" Drive Part No.	2-1/2" Drive Part No.
7/8"	TWSIA088	TWSIB088	-	-
1-1/16"	TWSIA106	TWSIB106	-	-
1-1/4"	TWSIA125	TWSIB125	-	-
1-3/8"	TWSIA138	TWSIB138	-	-
1-7/16"	TWSIA144	TWSIB144	-	-
1-5/8"	TWSIA163	TWSIB163	TWSIC163	-
1-13/16"	TWSIA181	TWSIB181	-	-
2"	TWSIA200	TWSIB200	TWSIC200	-
2-3/16"	TWSIA219	TWSIB219	TWSIC219	-
2-3/8"	TWSIA238	TWSIB238	TWSIC238	-
2-9/16"	-	TWSIB256	TWSIC256	-
2-3/4"	-	TWSIB275	TWSIC275	-
2-15/16"	-	TWSIB294	TWSIC294	-
3-1/8"	-	TWSIB313	TWSIC313	TWSIF313
3-3/8"	-	TWSIB338	TWSIC338	TWSIF338
3-1/2"	-	TWSIB350	TWSIC350	TWSIF350
3-3/4"	-	TWSIB375	TWSIC375	TWSIF375
3-7/8"	-	TWSIB388	-	TWSIF388
4-1/8"	-	TWSIB413	TWSIC413	TWSIF413
4-1/4"	-	TWSIB425	TWSIC425	TWSIF425
4-5/8"	-	-	TWSIC463	TWSIF463
5"	-	-	-	TWSIF500
5-3/8"	-	-	-	TWSIF538
5-3/4"	-	-	-	TWSIF575
6-1/8"	-	-	-	TWSIF613

Socket Size Imperial	METRIC			
	3/4" Drive Part No.	1" Drive Part No.	1-1/2" Drive Part No.	2-1/2" Drive Part No.
22mm	TWSMA022	TWSMB022	-	-
24mm	TWSMA024	TWSMB024	-	-
32mm	TWSMA032	TWSMB032	-	-
36mm	TWSMA036	TWSMB036	-	-
41mm	TWSMA041	TWSMB041	TWSMC041	-
46mm	TWSMA046	TWSMB046	-	-
50mm	TWSMA050	TWSMB050	-	-
55mm	-	TWSMB055	-	-
60mm	-	TWSMB060	TWSMC060	-
65mm	-	TWSMB065	TWSMC065	-
70mm	-	TWSMB070	TWSMC070	-
75mm	-	-	TWSMC075	-
80mm	-	TWSMB080	TWSMC080	TWSMF080
85mm	-	TWSMB085	TWSMC085	TWSMF085
90mm	-	TWSMB090	TWSMC090	TWSMF090
95mm	-	TWSMB095	TWSMC095	TWSMF095
100mm	-	TWSMB100	-	TWSMF100
110mm	-	TWSMB110	TWSMC110	TWSMF110
115mm	-	-	TWSMC115	TWSMF115
120mm	-	-	TWSMC120	-
135mm	-	-	-	TWSMF135
150mm	-	-	-	TWSMF150

TWSD

**SPX**

# SQUARE DRIVE



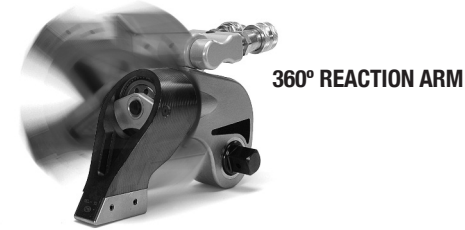
## SQUARE DRIVE Torque Wrench

- Low Weight, High Strength Design
- Superior Torsional Strength
- Fast Operation Cycle
- Fine Tooth Ratchet
- Floating Piston Design
- Internal Swivel Manifold Relief
- Rigid Steel Body Construction
- Compact Frame Size

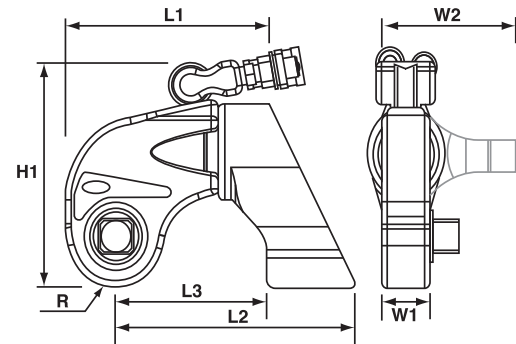
wrench.



# SQUARE DRIVE



## Specifications and Dimensional Data



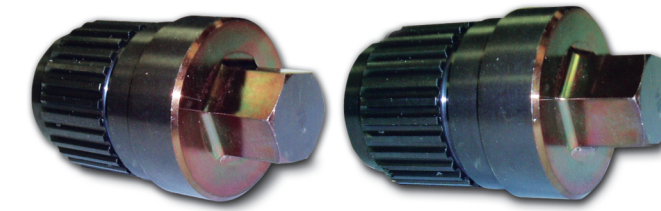
- Push Button Reversal of Square Drive
- Corrosion Resistant Finish
- 360° Reaction Arm
- Push to Click Reaction Arms
- Multi-Axis High Flow Swivel Manifold
- Simple Design
- Consistent Torque Output
- Fully Enclosed Drive Mechanism
- Accurate Torque Output

Tool Model	L1		L2		L3		H1		R		W1		W2	
	(in.)	(mm)	(in.)	(mm)	(in.)	(mm)	(in.)	(mm)	(in.)	(mm)	(in.)	(mm)	(in.)	(mm)
TWSD1	5.5	139	6.7	170	4.4	112	5.7	145	1.1	28	1.3	33	4.0	102
TWSD3	6.7	170	7.7	196	4.9	124	6.9	175	1.5	38	1.8	46	5.0	127
TWSD6	7.7	196	9.3	236	5.6	142	8.1	206	1.8	46	2.0	51	6.3	162
TWSD11	9.2	234	11.5	292	7.0	178	9.5	241	2.2	56	2.4	61	7.7	196
TWSD25	12.0	305	14.8	376	9.1	231	12.4	315	2.8	71	3.0	76	9.4	239

Tool Model	Square Drive		Max. Torque		Tool Weight	
	(in.)	(mm)	(ft. lbs.)	(Nm)	(lbs.)	(kg)
TWSD1	3/4	19.0	1,390	1800	5.1	2.3
TWSD3	1	25.4	3,070	4160	9.9	4.5
TWSD6	1 1/2	38.1	6,020	8157	17.4	7.9
TWSD11	1 1/2	38.1	10,940	14823	28.9	13.1
TWSD25	2 1/2	63.5	24,700	33496	65.0	29.5

CAUTION: Always read operating manual before using for proper use of tools and accessories.  
 NOTE: Reference dimensions shown and vary by link size. Exact dimensions can be found on our website.

# SQUARE DRIVE ACCESSORIES



Male Hex Drive

Torque Wrench	IMPERIAL		METRIC	
	Hexagon Drive Size A/F (inch)	Part No.	Hexagon Drive Size A/F (mm)	Part No.
TWSD1	5/8"	TWD1-063	17mm	TWD1-017
	3/4"	TWD1-075	19mm	TWD1-019
	7/8"	TWD1-088	22mm	TWD1-022
	1"	TWD1-100	24mm	TWD1-024
TWSD3	5/8"	TWD3-063	17mm	TWD3-017
	3/4"	TWD3-075	19mm	TWD3-019
	7/8"	TWD3-088	22mm	TWD3-022
	1"	TWD3-100	24mm	TWD3-024
	1-1/8"	TWD3-113	27mm	TWD3-027
	1/14"	TWD3-125	30mm	TWD3-030
TWSD6	1-3/8"	TWD3-138	32mm	TWD3-032
	7/8"	TWD6-088	22mm	TWD6-022
	1"	TWD6-100	24mm	TWD6-024
	1-1/8"	TWD6-113	27mm	TWD6-027
	1-1/4"	TWD6-125	30mm	TWD6-030
	1-3/8"	TWD6-138	32mm	TWD6-032
TWSD11	1-1/2"	TWD6-150	36mm	TWD6-036
	1-5/8"	TWD6-163	41mm	TWD6-041
	1-1/8"	TWD11-113	27mm	TWD11-027
	1-1/4"	TWD11-125	30mm	TWD11-030
	1-3/8"	TWD11-138	32mm	TWD11-032
	1-1/2"	TWD11-150	36mm	TWD11-036
TWSD25	1-5/8"	TWD11-163	41mm	TWD11-041
	1-3/4"	TWD11-175	46mm	TWD11-046
	1-1/2"	TWD25-150	36mm	TWD25-036
	1-5/8"	TWD25-163	41mm	TWD25-041
	1-3/4"	TWD25-175	46mm	TWD25-046
	1-7/8"	TWD25-188	50mm	TWD25-050
	2"	TWD25-200	55mm	TWD25-055
	2-1/4"	TWD25-225	60mm	TWD25-060
TWSD25	2-1/2"	TWD25-250	65mm	TWD25-065
	2-3/4"	TWD25-275	70mm	TWD25-070

accessories.