

LINKS & REDUCERS



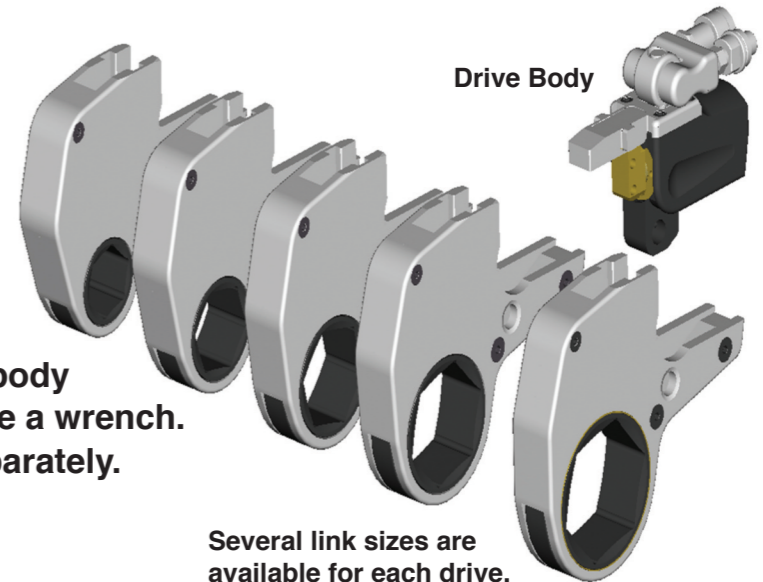
Combine a drive body with a link to make a wrench.
Each are sold separately.



| | Link | | Nut A/F | | Reducer | | Part No. | | Reducer | | Part No. | |
|-----------|-----------|----------|------------------------|-----------------|--------------|---------------|------------------|--------------|---------------|-----------------|--------------|--------------|
| | Part No. | inch | inch | mm | mm | inch | mm | inch | mm | inch | mm | |
| TWLC15 | TWL15-070 | 2-3/4" | 70 | 2-3/4"-2-9/16" | 70-65mm | TWR15-070065 | 2-3/4"-2-3/8" | 70-60mm | TWR15-070060 | 2-3/4"-2-3/16" | 70-55mm | TWR15-070055 |
| | TWL15-075 | 2-15/16" | 75 | 2-15/16"-2-3/4" | 75-70mm | TWR15-075070 | 2-15/16"-2-9/16" | 75-65mm | TWR15-075065 | 2-15/16"-2-3/8" | 75-60mm | TWR15-075060 |
| | TWL15-080 | 3-1/8" | 80 | 3-1/8"-2-15/16" | 80-75mm | TWR15-080075 | 3-1/8"-2-3/4" | 80-70mm | TWR15-080070 | 3-1/8"-2-9/16" | 80-65mm | TWR15-080065 |
| | TWL15-085 | 3-3/8" | 85 | 3-3/8"-3-1/8" | 85-80mm | TWR15-085080 | 3-3/8"-2-15/16" | 85-65mm | TWR15-085065 | 3-3/8"-2-3/4" | 85-70mm | TWR15-085070 |
| | TWL15-090 | 3-1/2" | 90 | 3-1/2"-3-3/8" | 90-85mm | TWR15-090085 | 3-1/2"-3-1/8" | 90-80mm | TWR15-090080 | 3-1/2"-2-15/16" | 90-75mm | TWR15-090075 |
| | TWL15-095 | 3-3/4" | 95 | 3-3/4"-3-1/2" | 95-90mm | TWR15-095090 | 3-3/4"-3-3/8" | 95-85mm | TWR15-095085 | 3-3/4"-3-1/8" | 95-80mm | TWR15-095080 |
| | TWL15-100 | 3-7/8" | 100 | 3-7/8"-3-3/4" | 100-95mm | TWR15-100095 | 3-7/8"-3-1/2" | 100-90mm | TWR15-100090 | 3-7/8"-3-3/8" | 100-85mm | TWR15-100085 |
| | TWL15-105 | - | 105 | - | 105-100mm | TWR15-105100 | - | 105-95mm | TWR15-105095 | - | 105-90mm | TWR15-105090 |
| | TWL15-425 | 4-1/4" | - | 4-1/4"-3-7/8" | - | TWR15-425388 | 4-1/4"-3-3/4" | - | TWR15-425375 | 4-1/4"-3-1/2" | - | TWR15-425350 |
| | TWL15-110 | - | 110 | - | 110-105mm | TWR15-110105 | - | 110-100mm | TWR15-110010 | - | 110-95mm | TWR15-110095 |
| | TWL15-115 | - | 115 | - | 115-110mm | TWR15-115110 | - | 115-105mm | TWR15-115105 | - | 115-100mm | TWR15-115100 |
| | TWL15-463 | 4-5/8" | - | 4-5/8"-4-1/4" | - | TWR15-463425 | 4-5/8"-3-7/8" | - | TWR15-463388 | 4-5/8"-3-3/4" | - | TWR15-463375 |
| | TWL30-080 | 3-1/8" | 80 | 3-1/8"-2-15/16" | 80-75mm | TWR30-080075 | 3-1/8"-2-3/4" | 80-70mm | TWR30-080070 | 3-1/8"-2-9/16" | 80-65mm | TWR30-080065 |
| | TWL30-085 | 3-3/8" | 85 | 3-3/8"-3-1/8" | 85-80mm | TWR30-085080 | 3-3/8"-2-15/16" | 85-65mm | TWR30-085065 | 3-3/8"-2-3/4" | 85-70mm | TWR30-085070 |
| | TWL30-090 | 3-1/2" | 90 | 3-1/2"-3-3/8" | 90-85mm | TWR30-090085 | 3-1/2"-3-1/8" | 90-80mm | TWR30-090080 | 3-1/2"-2-15/16" | 90-75mm | TWR30-090075 |
| TWL30-095 | 3-3/4" | 95 | 3-3/4"-3-1/2" | 95-90mm | TWR30-095090 | 3-3/4"-3-3/8" | 95-85mm | TWR30-095085 | 3-3/4"-3-1/8" | 95-80mm | TWR30-095080 | |
| TWL30-100 | 3-7/8" | 100 | 3-7/8"-3-3/4" | 100-95mm | TWR30-100095 | 3-7/8"-3-1/2" | 100-90mm | TWR30-100090 | 3-7/8"-3-3/8" | 100-85mm | TWR30-100085 | |
| TWL30-105 | - | 105 | - | 105-100mm | TWR30-105100 | - | 105-95mm | TWR30-105095 | - | 105-90mm | TWR30-105090 | |
| TWL30-425 | 4-1/4" | - | 4-1/4"-3-7/8" | - | TWR30-425388 | 4-1/4"-3-3/4" | - | TWR30-425375 | 4-1/4"-3-1/2" | - | TWR30-425350 | |
| TWL30-110 | - | 110 | - | 110-105mm | TWR30-110105 | - | 110-100mm | TWR30-110010 | - | 110-95mm | TWR30-110095 | |
| TWL30-115 | - | 115 | - | 115-110mm | TWR30-115110 | - | 115-105mm | TWR30-115015 | - | 115-100mm | TWR30-115100 | |
| TWL30-463 | 4-5/8" | - | 4-5/8"-4-1/4" | - | TWR30-463425 | 4-5/8"-3-7/8" | - | TWR30-463388 | 4-5/8"-3-3/4" | - | TWR30-463375 | |
| TWL30-120 | - | 120 | - | 120-115mm | TWR30-120115 | - | 120-110mm | TWR30-120110 | - | 120-105mm | TWR30-120105 | |
| TWL30-500 | 5" | - | 5"-4-5/8" | - | TWR30-500463 | 5"-4-1/4" | - | TWR30-500425 | 5"-3-7/8" | - | TWR30-500388 | |
| TWL30-130 | - | 130 | - | 130-120mm | TWR30-130120 | - | 130-115mm | TWR30-130115 | - | 130-110mm | TWR30-130110 | |
| TWL30-135 | 5-3/8" | 135 | 5-3/8"-5" | 135-125mm | TWR30-135125 | 5-3/8"-4-5/8" | 135-120mm | TWR30-135120 | 5-3/8"-4-1/4" | 135-115mm | TWR30-135115 | |
| TWL30-145 | 5-3/4" | 145 | AVAILABLE UPON REQUEST | | | | | | | | | |
| TWL30-150 | - | 150 | AVAILABLE UPON REQUEST | | | | | | | | | |
| TWL30-155 | 6-1/8" | 155 | AVAILABLE UPON REQUEST | | | | | | | | | |

wrench.

Combine a drive body with a link to make a wrench.
Each are sold separately.



Several link sizes are available for each drive.

TWLC



LOW CLEARANCE

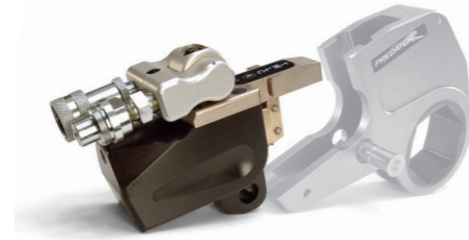


LOW CLEARANCE Torque Wrench

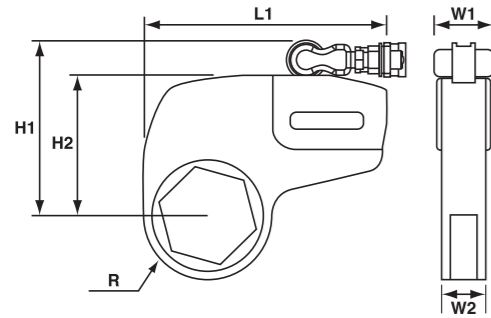
The TWLC Series Wrench was designed for the most inaccessible bolting areas found in the industry. Its long neck, short height and small radius have all added to its great success.

LOW CLEARANCE DRIVE BODY

Combine a drive body with a link to make a wrench.
Each are sold separately.



Specifications and Dimensional Data



- Low Weight, High Strength Design
- Superior Torsional Strength
- Fast Operation Cycle
- Fine Tooth Ratchet
- Floating Piston Design
- Auto-Connect Drive Piston
- Compact Frame Size
- Rigid Steel Body Construction
- Internal Swivel Manifold Relief Valve
- Built-in Reaction Pad
- Small Nose Radius
- Tool Free Link Change
- Corrosion Resistant Finish
- Multi-Axis High Flow Swivel Manifold
- Simple Design
- Consistent Torque Output
- Quick Interchangeable Heads, No Tools Necessary
- Marathon Lifetime Warranty

| Tool Model | L1 | | H1 | | H2 | | R | | W1 | | W2 | |
|------------|-------|------|-------|------|-------|------|--------------|--------|-------|------|-------|------|
| | (in.) | (mm) | (in.) | (mm) | (in.) | (mm) | (in.) | (mm) | (in.) | (mm) | (in.) | (mm) |
| TWLC2 | 7.6 | 193 | 5.4 | 137 | 4.1 | 104 | 1 1/4- 1 7/8 | 32-48 | 1.7 | 43 | 1.3 | 33 |
| TWLC4 | 8.8 | 223 | 6.4 | 163 | 5.1 | 130 | 1 1/2- 1 7/8 | 38-47 | 2.0 | 51 | 1.7 | 43 |
| TWLC8 | 10.4 | 264 | 7.7 | 196 | 6.2 | 158 | 2- 2 7/8 | 51-74 | 2.7 | 69 | 2.1 | 53 |
| TWLC15 | 12.0 | 305 | 8.8 | 224 | 7.3 | 185 | 2 3/8- 2 1/2 | 60-64 | 3.1 | 79 | 2.5 | 64 |
| TWLC30 | 15.4 | 391 | 10.9 | 277 | 9.4 | 239 | 3- 4 1/2 | 76-114 | 4.2 | 107 | 3.2 | 81 |

| Tool Model | Hex Range | | Max. Torque | | Tool Weight | |
|------------|---------------|-----------|-------------|--------|-------------|------|
| | (in.) | (mm) | (ft.) | (Nm) | (lbs) | (kg) |
| TWLC2 | 1 1/4- 2 3/8 | 32 - 60 | 1,575 | 2,135 | 6.2 | 2.8 |
| TWLC4 | 1 1/2- 3 1/8 | 38.1 - 79 | 3,975 | 5,389 | 12.6 | 5.7 |
| TWLC8 | 2 3/8- 3 7/8 | 60 - 98 | 7,950 | 10,770 | 22.9 | 10.3 |
| TWLC15 | 2 9/16- 4 5/8 | 65 - 117 | 14,850 | 20,133 | 37.3 | 16.9 |
| TWLC30 | 3 1/8- 6 1/8 | 79 - 155 | 28,800 | 39,047 | 77.0 | 34.9 |

CAUTION: Always read operating manual before using for proper use of tools and accessories.
NOTE: Reference dimensions shown and vary by link size. Exact dimensions can be found on our website.

LINKS & REDUCERS



Combine a drive body with a link to make a wrench.
Each are sold separately.

low clearance.



| Link Part No. | Nut A/F inch | mm | inch | Reducer | | inch | Reducer | | inch | Reducer | |
|---------------|--------------|-----|-----------------|----------|-------------|------------------|----------|-------------|-----------------|----------|-------------|
| | | | | mm | Part No. | | mm | Part No. | | mm | Part No. |
| TWLC2 | | | | | | | | | | | |
| TWL2-032 | 1-1/4" | 32 | - | - | - | - | - | - | - | - | - |
| TWL2-036 | 1-7/16" | 36 | - | - | - | - | - | - | - | - | - |
| TWL2-041 | 1-5/8" | 41 | 1-5/8"-1-7/16" | 41-36mm | TWR2-041036 | 1-5/8"-1-1/4" | 41-32mm | TWR2-041032 | - | - | - |
| TWL2-046 | 1-13/16" | 46 | 1-13/16"-1-5/8" | 46-41mm | TWR2-046041 | 1-13/16"-1-7/16" | 46-36mm | TWR2-046036 | 1-13/16"-1-1/4" | 46-32mm | TWR2-046032 |
| TWL2-050 | 2" | 50 | 2"-1-13/16" | 50-46mm | TWR2-050046 | 2"-1-5/8" | 50-41mm | TWR2-050041 | 2"-1-7/16" | 50-36mm | TWR2-050036 |
| TWL2-055 | 2-3/16" | 55 | 2-3/16"-2" | 55-50mm | TWR2-055050 | 2-3/16"-1-13/16" | 55-46mm | TWR2-055046 | 2-3/16"-1-5/8" | 55-41mm | TWR2-055041 |
| TWL2-060 | 2-3/8" | 60 | 2-3/8"-2-3/16" | 60-55mm | TWR2-060055 | 2-3/8"-2" | 60-50mm | TWR2-060050 | 2-3/8"-1-13/16" | 60-46mm | TWR2-060046 |
| TWLC4 | | | | | | | | | | | |
| TWL4-041 | 1-5/8" | 41 | 1-5/8"-1-7/16" | 41-36mm | TWR4-041036 | 1-5/8"-1-1/4" | 41-32mm | TWR4-041032 | - | - | - |
| TWL4-046 | 1-13/16" | 46 | 1-13/16"-1-5/8" | 46-41mm | TWR4-046041 | 1-13/16"-1-7/16" | 46-36mm | TWR4-046036 | 1-13/16"-1-1/4" | 46-32mm | TWR4-046032 |
| TWL4-050 | 2" | 50 | 2"-1-13/16" | 50-46mm | TWR4-050046 | 2"-1-5/8" | 50-41mm | TWR4-050041 | 2"-1-7/16" | 50-36mm | TWR4-050036 |
| TWL4-055 | 2-3/16" | 55 | 2-3/16"-2" | 55-50mm | TWR4-055050 | 2-3/16"-1-13/16" | 55-46mm | TWR4-055046 | 2-3/16"-1-5/8" | 55-41mm | TWR4-055041 |
| TWL4-060 | 2-3/8" | 60 | 2-3/8"-2-3/16" | 60-55mm | TWR4-060055 | 2-3/8"-2" | 60-50mm | TWR4-060050 | 2/38"-1-13/16" | 60-46mm | TWR4-060046 |
| TWL4-065 | 2-9/16" | 65 | 2-9/16"-2-3/8" | 65-60mm | TWR4-065060 | 2-9/16"-2-3/16" | 65-55mm | TWR4-065055 | 2-9/16"-2" | 65-50mm | TWR4-065050 |
| TWL4-070 | 2-3/4" | 70 | 2-3/4"-2-9/16" | 70-65mm | TWR4-070065 | 2-3/4"-2-3/8" | 70-60mm | TWR4-070060 | 2-3/4"-2-3/16" | 70-55mm | TWR4-070055 |
| TWL4-075 | 2-15/16" | 75 | 2-15/16"-2-3/4" | 75-70mm | TWR4-075070 | 2-15/16"-2-9/16" | 75-65mm | TWR4-075065 | 2-15/16"-2-3/8" | 75-60mm | TWR4-075060 |
| TWL4-080 | 3-1/8" | 80 | 3-1/8"-2-15/16" | 80-75mm | TWR4-080075 | 3-1/8"-2-3/4" | 80-70mm | TWR4-080070 | 3-18"-2-9/16" | 80-65mm | TWR4-080065 |
| TWLC8 | | | | | | | | | | | |
| TWL8-060 | 2-3/8" | 60 | 2-3/8"-2-3/16" | 60-55mm | TWR8-060055 | 2-3/8"-2" | 60-50mm | TWR8-060050 | 2-3/8"-1-13/16" | 60-46mm | TWR8-060046 |
| TWL8-065 | 2-9/16" | 65 | 2-9/16"-2-3/8" | 65-60mm | TWR8-065060 | 2-9/16"-2-3/16" | 65-55mm | TWR8-065055 | 2-9/16"-2" | 65-50mm | TWR8-065050 |
| TWL8-070 | 2-3/4" | 70 | 2-3/4"-2-9/16" | 70-65mm | TWR8-070065 | 2-3/4"-2-3/8" | 70-60mm | TWR8-070060 | 2-3/4"-2-3/16" | 70-55mm | TWR8-070055 |
| TWL8-075 | 2-15/16" | 75 | 2-15/16"-2-3/4" | 75-70mm | TWR8-075070 | 2-15/16"-2-9/16" | 75-65mm | TWR8-075065 | 2-15/16"-2-3/8" | 75-60mm | TWR8-075060 |
| TWL8-080 | 3-1/8" | 80 | 3-1/8"-2-15/16" | 80-75mm | TWR8-080075 | 3-1/8"-2-3/4" | 80-70mm | TWR8-080070 | 3-18"-2-9/16" | 80-65mm | TWR8-080065 |
| TWL8-085 | 3-3/8" | 85 | 3-3/8"-3-1/8" | 85-80mm | TWR8-085080 | 3-3/8"-2-15/16" | 85-65mm | TWR8-085065 | 3-3/8"-2-3/4" | 85-70mm | TWR8-085070 |
| TWL8-090 | 3-1/2" | 90 | 3-1/2"-3-3/8" | 90-85mm | TWR8-090085 | 3-1/2"-3-1/8" | 90-80mm | TWR8-090080 | 3-1/2"-2-15/16" | 90-75mm | TWR8-090075 |
| TWL8-095 | 3-3/4" | 95 | 3-3/4"-3-1/2" | 95-90mm | TWR8-095090 | 3-3/4"-3-3/8" | 95-85mm | TWR8-095085 | 3-3/4"-3-1/8" | 95-80mm | TWR8-095080 |
| TWL8-100 | 3-7/8" | 100 | 3-7/8"-3-3/4" | 100-95mm | TWR8-100095 | 3-7/8"-3-1/2" | 100-90mm | TWR8-100090 | 3-7/8"-3-3/8" | 100-85mm | TWR8-100085 |