

▼ From left to right: S3000, S6000, S1500



## Rigid Steel Design

## The *Professional* Square Drive Solution

### Simplicity

- 360° click-on, multi-position reaction arm
- Push button square drive release for quickly reversing the square drive for tightening or loosening
- Fine tooth ratchet prevents tool “lock-on”
- Single 360° hydraulic swivel manifold, complete with screw lock couplings, increases wrench and hose maneuverability

### Design

- Compact, high-strength uni-body construction for a small operating radius
- Robust design with minimal parts enables easy on-site maintenance without special tools
- Lightweight, ergonomic design for easy handling and an easy fit, even in applications where access is limited
- Optimised strength-to-weight ratio
- Fast operation due to the large nut rotation per wrench cycle (35 degree rotation angle) and rapid return stroke

### Reliability

- All wrenches are nickel-plated for excellent corrosion protection and improved durability in harsh environments

### Accuracy

- Constant torque output provides high accuracy across the full stroke
- Uni-body construction ensures accuracy by reducing internal deflections



### S-Series, Square Drive Wrenches

This product range has been designed using state-of-the-art CAD techniques to bring you the most advanced square drive torque wrench on the market.

To ensure that the tools you buy meet our own exacting requirements, during the design process every prototype was put through finite element stress analysis, photo-elastic modeling, rigorous cyclic testing and strain gauging.



### TSP - Pro Series Swivel

Featuring Tilt & Swivel technology the TSP provides 360° X-axis rotation and 160° y-axis rotation.

### How to Order

Order an accessory which can be fitted to existing S-Series wrenches.

Factory fitted to new S-Series wrenches: Suffix the wrench model number with “-P” e.g.: S1500-P.

Page: 9

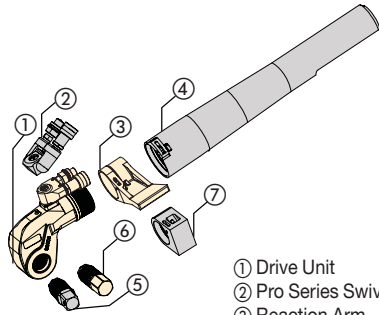


### Torque Wrench Hoses

Use Enerpac THQ-700 Series torque wrench hoses with S-Series torque wrenches to ensure the integrity of your hydraulic system.

19.5 feet long, 2 hoses	<b>THQ-706T</b>
39 feet long, 2 hoses	<b>THQ-712T</b>

# Double-Acting Square Drive Hydraulic Torque Wrenches



- ① Drive Unit
- ② Pro Series Swivel
- ③ Reaction Arm
- ④ Extended Reaction Arm
- ⑤ Square Drive
- ⑥ Allen Drive
- ⑦ Short Reaction Arm



**Select the Right Torque**  
Choose your Enerpac Torque Wrench using the untightening rule of thumb: Loosening torque equals about 250% of tightening torque.

## S Series

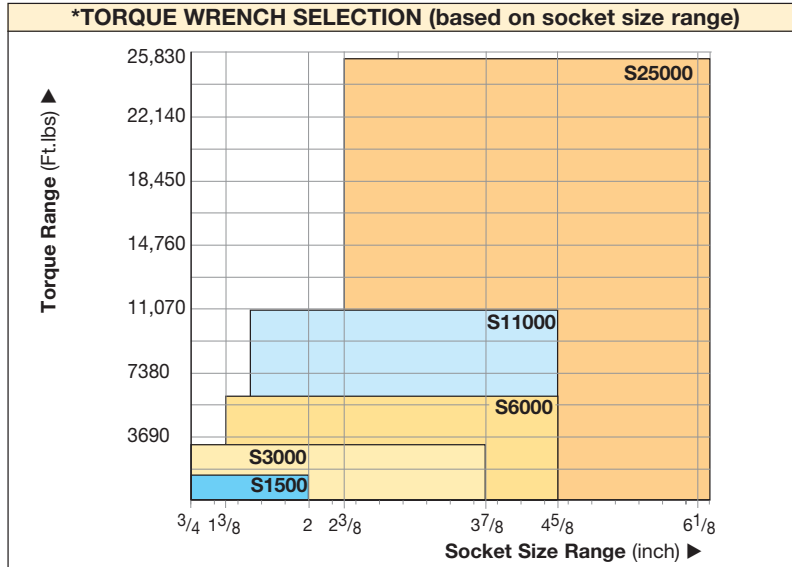


Maximum Torque at 10,000 psi:  
**25,140 Ft.lbs**

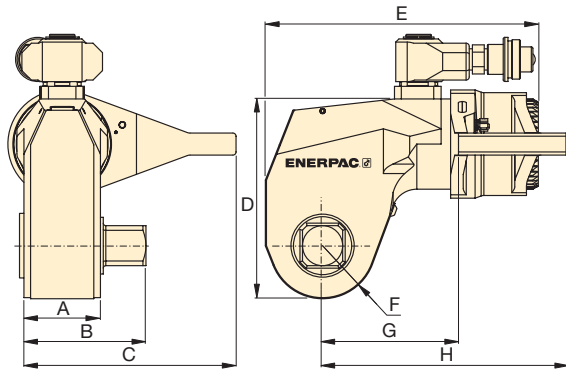
Square Drive Range:  
**3/4-2 1/2 inches**

Nose Radius:  
**.99-2.50 inches**

Maximum Operating Pressure:  
**10,000 psi**



\*Additional socket sizes available upon request.



The rigid steel design of S-Series torque wrenches guarantee durability, reliability and safety. These wrenches can be powered by the portable ZU4T-Series pumps.





### Torque Wrench and Pump Selection Matrix

For optimum speed and performance see the torque wrench and pump matrix.

Page: 28



Torque Wrench Model No.	Square Drive		Maximum Torque <sup>1)</sup> at 10,000 psi  (Ft.lbs)	Dimensions (in)								Weight (lbs)
	Size (in)	Model No. (included with wrench)		A	B	C	D	E	F	G	H	
	3/4"	SD15-012	1400	1.54	2.48	4.33	3.74	5.36	0.99	2.72	4.69	5.94
	1"	SD30-100	3200	1.89	3.03	5.28	4.96	6.78	1.30	3.55	6.27	11.00
	1 1/2"	SD60-108	6010	2.24	3.55	7.05	6.38	7.92	1.66	4.41	7.37	18.70
	1 1/2"	SD110-108	11,000	2.80	4.37	7.22	7.29	8.90	1.95	5.20	8.94	33.00
	2 1/2"	SD250-208	25,140	3.43	5.63	9.61	9.46	11.50	2.50	7.17	11.50	68.20

<sup>1)</sup> Determine maximum torque according to the bolt (nut) size and grade. See "Yellow Pages" section for torque conversions. To order a S-series wrench fitted with the TSP swivel, suffix the model number with "-P". e.g., S1500-P.