

▼ Shown: Drive units with interchangeable cassettes



Rigid Steel Design

The *Professional* Low Profile Solution

Simplicity

- No tools are needed for changing the hexagon cassettes
- Innovative, pinless wrench construction incorporates quick release cylinder and automatic crank engagement
- Single 360° hydraulic swivel manifold complete with screw lock couplings increases wrench and hose maneuverability

Design

- Cylinders and low profile cassettes have been engineered to give ultra slim, compact low clearance tooling with a small nose radius
- Robust design with minimal parts enables easy on-site maintenance without special tools
- Nut sizes covered range from 1¼ - 4⅝ inch (30 - 115 mm)
- Optimized strength-to-weight ratio
- Fast operation due to the large nut rotation per wrench cycle (30 degree rotation angle) and rapid return stroke

Reliability

- All wrenches are nickel-plated for excellent corrosion protection and improved durability in harsh environments
- All wrenches are fitted with bronze bushings to ensure the ratchet will never seize in the sideplates, thus eliminating costly repairs

Accuracy

- Constant torque output provides high accuracy across the full stroke
- In-line reaction foot ensures accuracy by reducing internal deflections



W-Series, Low Profile Torque Wrenches

This product range has been designed using state-of-the-art CAD techniques to bring you the most advanced low profile torque wrench on the market. Safety, quality, toughness and reliability are built in.

During the design process every prototype was put through finite element stress analysis, photo-elastic modelling, rigorous cyclic testing and strain gauging.



TSP - Pro Series Swivel

Featuring Tilt and Swivel technology the TSP provides 360° X-axis rotation and 160° Y-axis rotation.

How to Order

Order an accessory which can be fitted to existing W-Series wrenches.

Factory fitted to new W-Series wrenches: Suffix the wrench model number with "-P" e.g.: W2000-P.

Page:  19

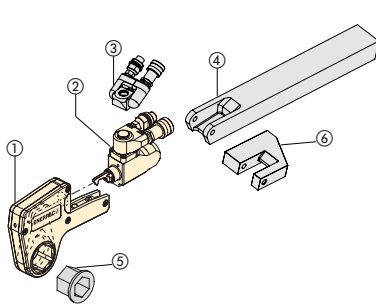


Torque Wrench Hoses

Use Enerpac THQ-700 Series hoses with W-Series torque wrenches to ensure the integrity of your hydraulic system.

19.5 feet long, 2 hoses	THQ-706T
39 feet long, 2 hoses	THQ-712T

Double-Acting Hydraulic Hexagon Torque Wrenches



- ① Hexagon Cassette
- ② Drive Unit
- ③ Pro Series Swivel

- ④ Extended Reaction Arm
- ⑤ Reducer Insert
- ⑥ Reaction Paddle



Hexagon Cassettes and Reducer Inserts

Maximum versatility with the full range of interchangeable hexagon cassettes and hexagon reducing inserts is available in metric and inch sizes.

Page: 14

W Series



Maximum Torque at 10,000 psi:

15,000 Ft.lbs

Hexagon Range:

1 1/8 - 4 5/8 inches

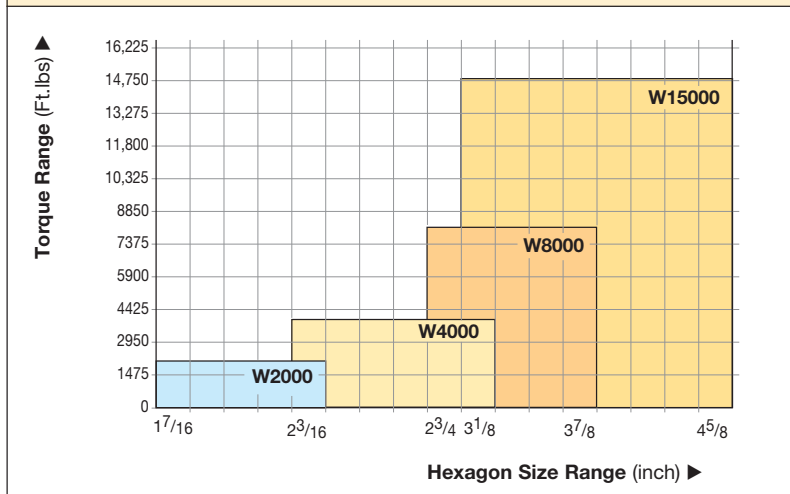
Nose Radius:

1.22-3.44 inches

Maximum Operating Pressure:

10,000 psi

DRIVE UNIT AND INTERCHANGEABLE CASSETTE SELECTION

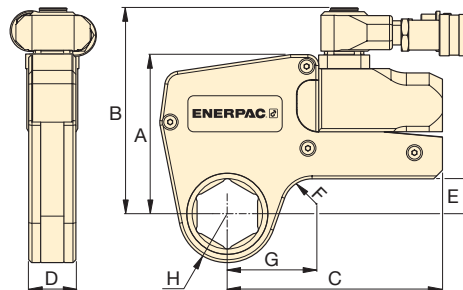


Torque Wrench Pump Selection Matrix

For optimum speed and performance see the torque wrench and pump matrix.

Page: 28

▼ These rigid steel wrenches with low profile interchangeable hexagon cassettes guarantee durability and maximum versatility in bolting applications.



▼ SELECTION CHART

Hexagon Range *		Maximum Torque at 10,000 psi	Drive Unit Model Number	Minimum Torque	Dimensions						Weight Drive unit without hexagon cassette
(in)	(mm)				(in)						
		(Ft.lbs)		(Ft.lbs)	A	B	C	D	E	F	(lbs)
1 1/8 - 2 3/8	30 - 60	2000	W2000	200	4.29	5.55	5.83	1.26	.94	.79	3.09
1 5/16 - 3 3/8	36 - 85	4000	W4000	400	5.35	6.57	7.01	1.61	1.29	.79	4.41
1 7/8 - 4 1/8	50 - 105	8000	W8000	800	6.77	8.07	8.19	2.07	1.65	.98	6.61
2 7/16 - 4 5/8	65 - 115	15,000	W15000	1500	8.15	9.45	9.96	2.48	1.97	.79	11.02

* With in-line reaction foot.

To order a W-series wrench fitted with the TSP swivel, suffix the model number with "-P". e.g., W2000-P.

See pages 14-18 for dimensions H and G.